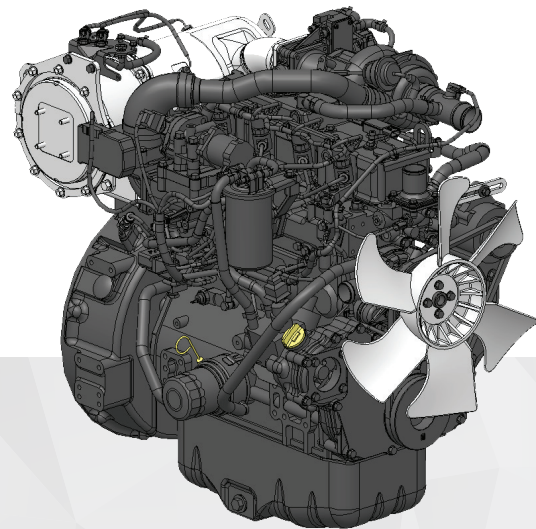




## 4TNV98CT-GGE

## 4TNV98CT-GGE-PIH



### 4TNV98CT-GGE

**LENGTH w/fan** 37.2 (944)  
**in (mm)**

**HEIGHT in (mm)** 32 (809)

**WIDTH in (mm)** 25 (632)

**WEIGHT (DRY)** 661 (300)  
**lbs (kg)**

**TYPICAL GENERATOR**  
**OUTPUT kWe (Standby)** 46.1

**TYPICAL GENERATOR**  
**OUTPUT KWE (PRIME)** 42

**CONTINUOUS GROSS**  
**ENGINE POWER hp (kW)** 62.2 (46.4)

**FUEL CONSUMPTION**  
**gal/h (l/h)** 3.8 (14.37)

**REGULATION** Final Tier 4

**CYLINDERS** 4

**BORE X STROKE (mm)** 98 x 110

**DISPLACEMENT L (ci)** 3.32 (203)

**RATED SPEED rpm** 1800

**COMBUSTION TYPE** Direct Injection

**ASPIRATION** Turbo Charged

**GOVERNOR TYPE** Electronic

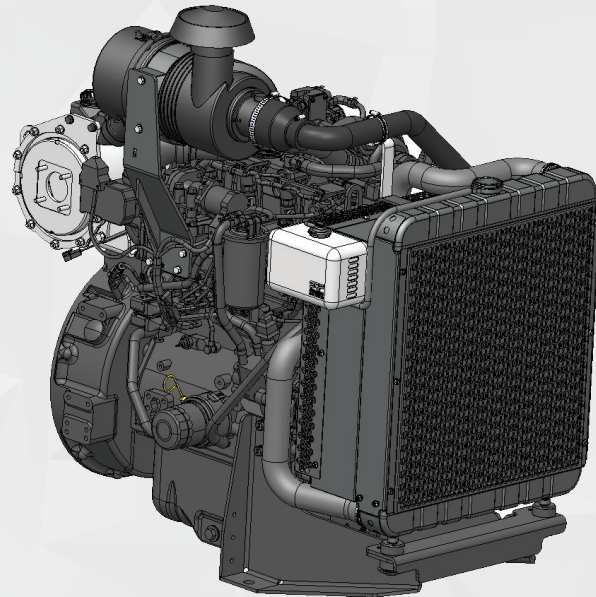
**LUBRICATION SYSTEM** 10.5 L Capacity  
Oil Pan

**ELECTRICAL SYSTEM** 12V-40A

**FUEL SYSTEM** Common Rail  
Fuel Injection

**COOLING SYSTEM** Water Pump  
Belt Driven

**POWER TAKE OFF** FWH:SAE 3  
FW: SAE 11.5



### 4TNV98CT-GGE-PIH

**LENGTH w/fan** 44 (1117)  
**in (mm)**

**HEIGHT in (mm)** 43.9 (1115)

**WIDTH in (mm)** 28.5 (724)

## **NOW EVEN MORE RELIABLE**

The YANMAR line of Final Tier 4 engines continues to build upon the legendary reliability of the YANMAR TNV line with a focus on vibration reduction and high-strength materials. The result is an engine more than capable of handling the most demanding applications.

## **FINAL TIER 4 AND EU STAGE 5**

Building off the proven TNV design, YANMAR has achieved superior exhaust emissions by improving the combustion chamber and increasing the displacement and compression ratios. YANMAR engines meet the strict NTE and NRTC test requirements for Final Tier 4 and EU Stage V.

## **BETTER FUEL EFFICIENCY, FEWER EMISSIONS**

YANMAR continues its reputation for superior starting characteristics by refining the combustion process to assure more precise fuel delivery and control. The result is reduced emissions, improved performance over a wide range of applications and increased fuel economy.

# **PURE. RELIABLE. POWER.**

YANMAR is engaged in the relentless pursuit of high efficiency, low emission, diesel engines. With technology that already meets the next generation of environmental emissions standards, YANMAR is providing sustainable solutions towards a new era of prosperity.